



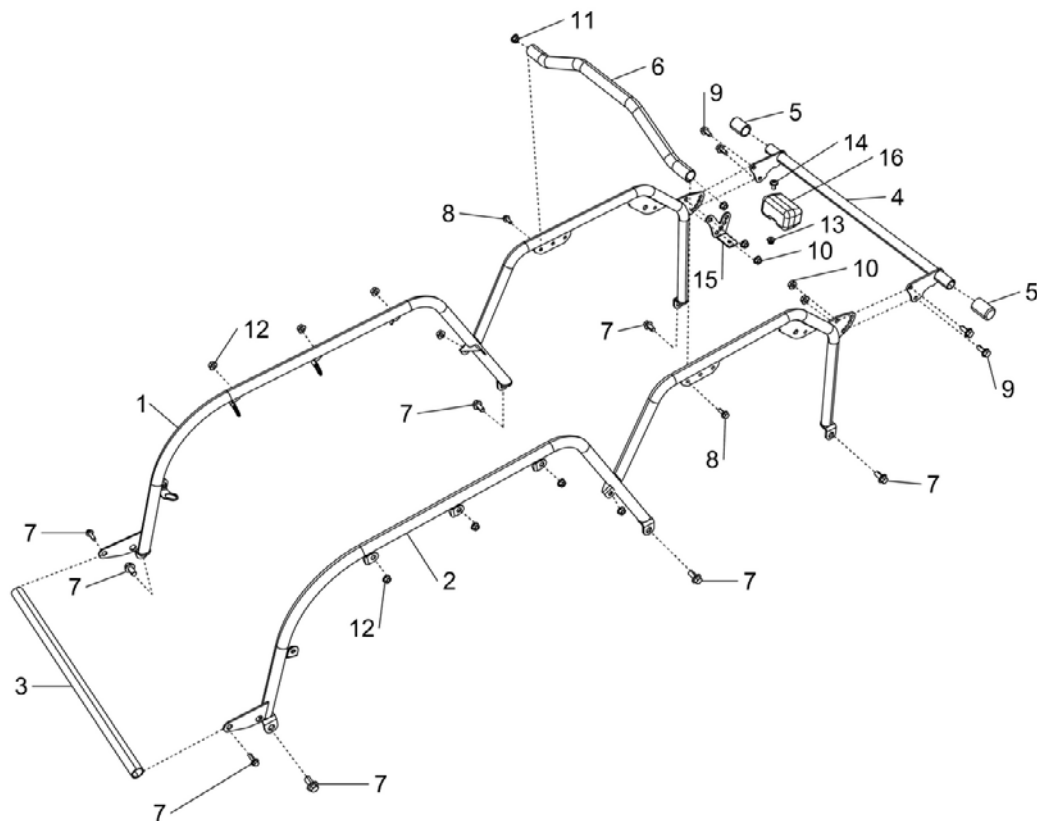
# PARTS CATALOG

S-Z460ZER-RPS SNOWDOG SPORT 2027



# Frame

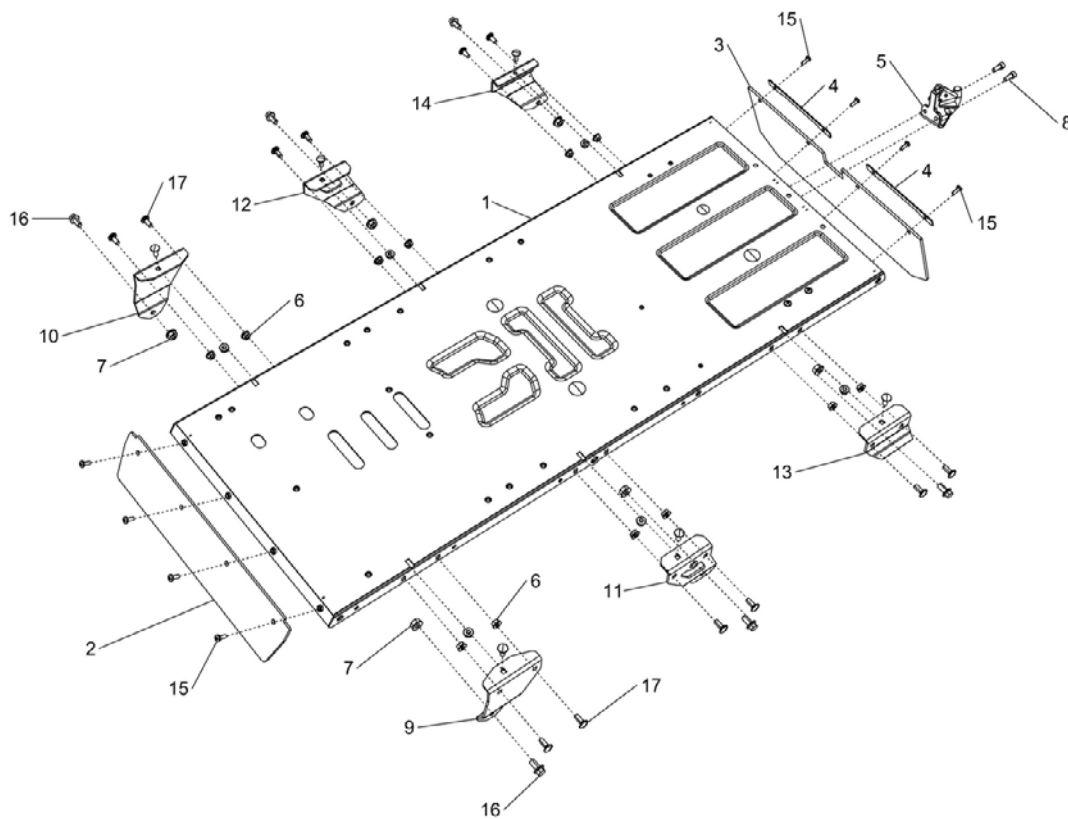
Diagram



#	Part number	Part name	Amount
1	1018-1401-0000	Right frame bar	1
2	1018-1400-0000	Left frame bar	1
3	1012-1700-0000	Front handle	1
4	1012-1600-0000	Rear handle	1
5	0000-0001-7592	Rubber cap	2
6	1013-1000-0200	Central crossbar	1
7	0000-0004-7803	Screw M10×25	8
8	0000-0006-0429	Screw M6×25	2
9	0000-0000-7999	Screw M8×20	4
10	0000-0005-5528	Nut M8	4
11	0000-0001-6382	Star nut M6	2
12	0000-0005-5892	Rivet nut M6	8
13	0000-0006-1751	Nut M6	1
14	0000-0006-0761	Screw M6×16	1
15	1018-0000-0501	Light bracket	1
16	0000-0001-4554	Light (led 12V/20W)	1

# Platform

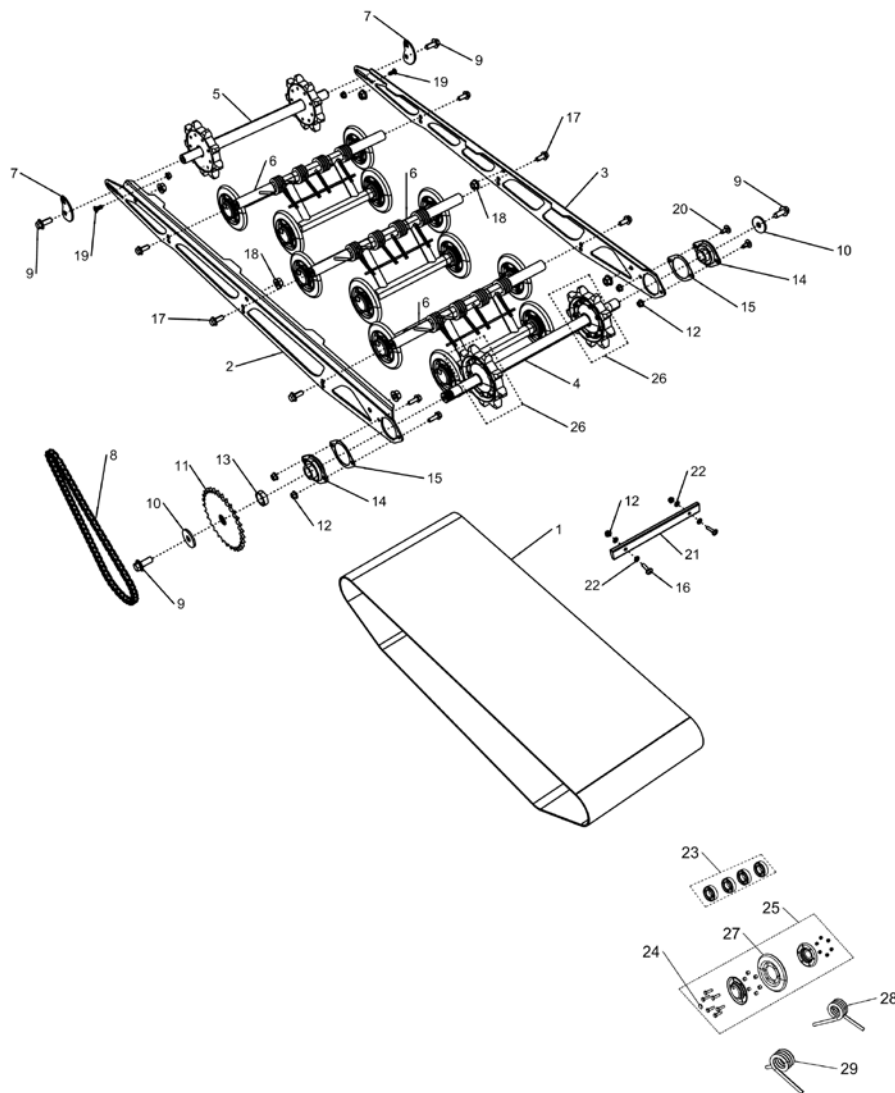
Diagram



#	Part number	Part name	Amount
1	1017-1100-0000	Frame	1
2	1012-0000-0100	Front mud flap	1
3	1012-0000-0201	Rear mud flap	1
4	1015-0000-0600	Mud flap bracket	2
5	4157-0021-0000	Tow hitch	1
6	0000-0005-5528	Nut M8	21
7	0000-0005-5527	Nut M10	6
8	0000-0006-1678	Screw M8x40	2
9	1015-1000-3000	Front left bracket	1
10	1015-1000-3300	Front right bracket	1
11	1015-1000-3100	Central left bracket	1
12	1015-1000-3400	Central right bracket	1
13	1015-1000-3200	Rear left bracket	1
14	1015-1000-3500	Rear right bracket	1
15	0000-0005-6411	Screw M6x16	8
16	0000-0004-7803	Screw M10x25	6
17	0000-0005-5526	Carriage bolt M8x20	18

# Chassis

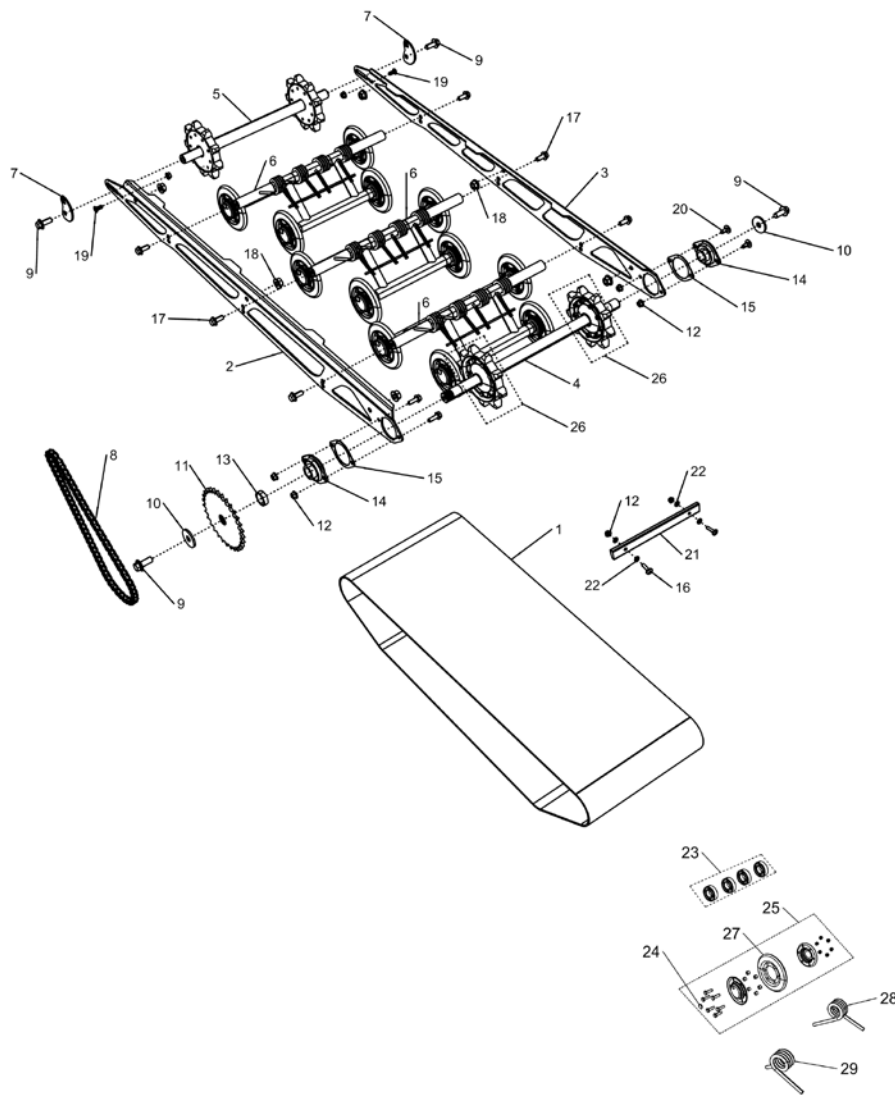
Diagram



#	Part number	Part name	Amount
1	4567-0001-0000	Track	1
2	1015-2000-0100	Right undercarriage plate	1
3	1015-2000-0200	Left undercarriage plate	1
4	1017-2200-0000	Transmission driver shaft	1
5	0000-0000-9424	Transmission driven shaft	1
6	1017-2100-0000	Four-spring bogie	3
7	0000-0006-1147	Eccentric plate	2
8	0000-0001-9046	Chain (58 links)	1
9	0000-0005-5522	Screw M12×30	4
10	0000-0005-5531	Washer 12×44	2
11	4477-2929-2929	29 Teeth sprocket	1
12	0000-0005-5528	Nut M8	6
13	0000-0000-8010	Bushing Ø25×2.8 L10	1
14	4468-2118-0000	Ball Bearing (with body parts)	2
15	0000-0001-7305	Spacer 2 mm	2
16	0000-0001-2709	Screw M6×30	2
17	0000-0004-7803	Screw M10×25	6
18	0000-0005-5528	Nut M8	6
19	0000-0000-8000	Fit bolt M8	2
20	0000-0001-6549	Carriage bolt M8×25	4
21	5051-0200-0002	Snow crusher	1
22	0000-0006-0238	Washer 6×18	4
23	4588-9904-0000	<b>BOGIE WHEELS BEARING KIT</b>	
		Ball bearing	4
24	4470-9900-0001	<b>CAPS FOR WHEELS KIT</b>	
		Cap	20

# Chassis

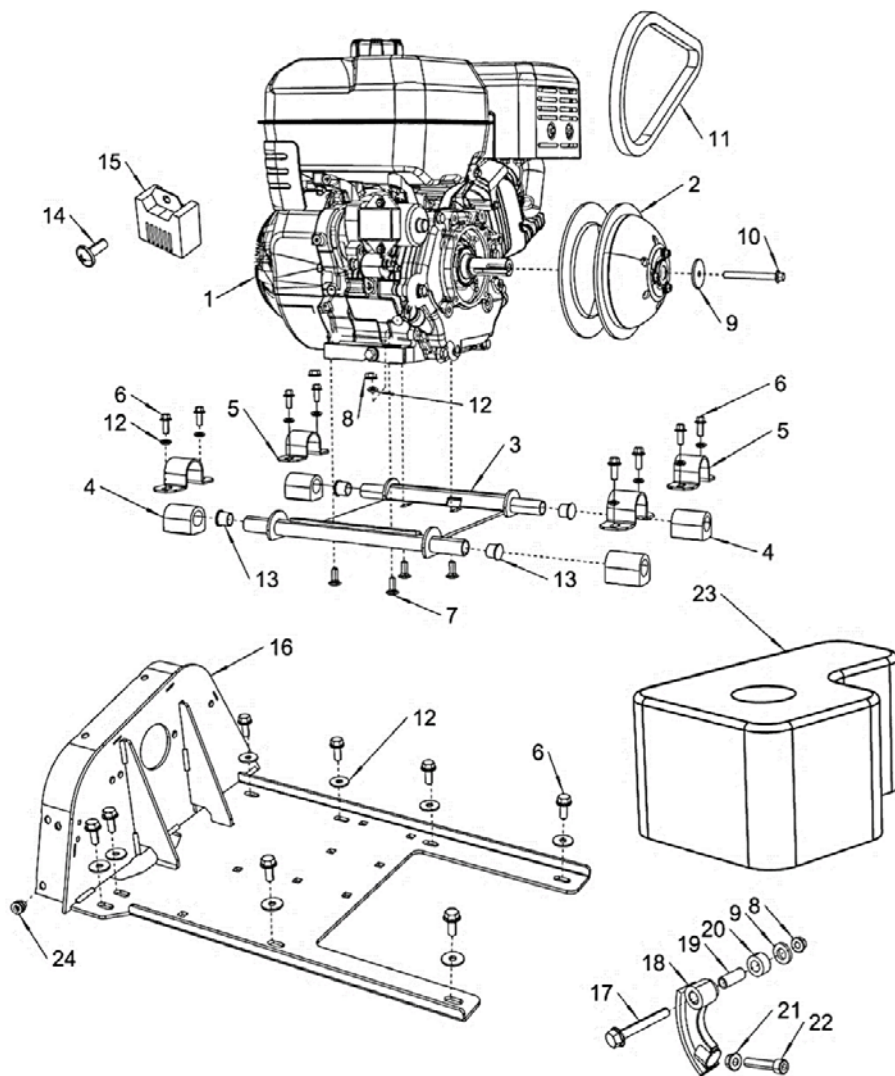
Diagram



#	Part number	Part name	Amount		
25	4597-9900-0000	<b>BOGIE WHEEL</b>			
		Screw M6×20	6		
		Bushing	6		
		Cap	1		
		Nut M6	6		
		Rubber ring	1		
		Seal	1		
		Cover inner Outer cover	1 1		
26	4573-9900-0000	<b>PLASTIC SPROCKET KIT</b>			
		Sprocket	2		
		Screw M6×20	18		
		Nut M6	18		
27	0000-0001-2671	Rubber ring	1		
		28	0000-0001-6480	Left bogie spring	1
				29	0000-0001-6479

# Engine

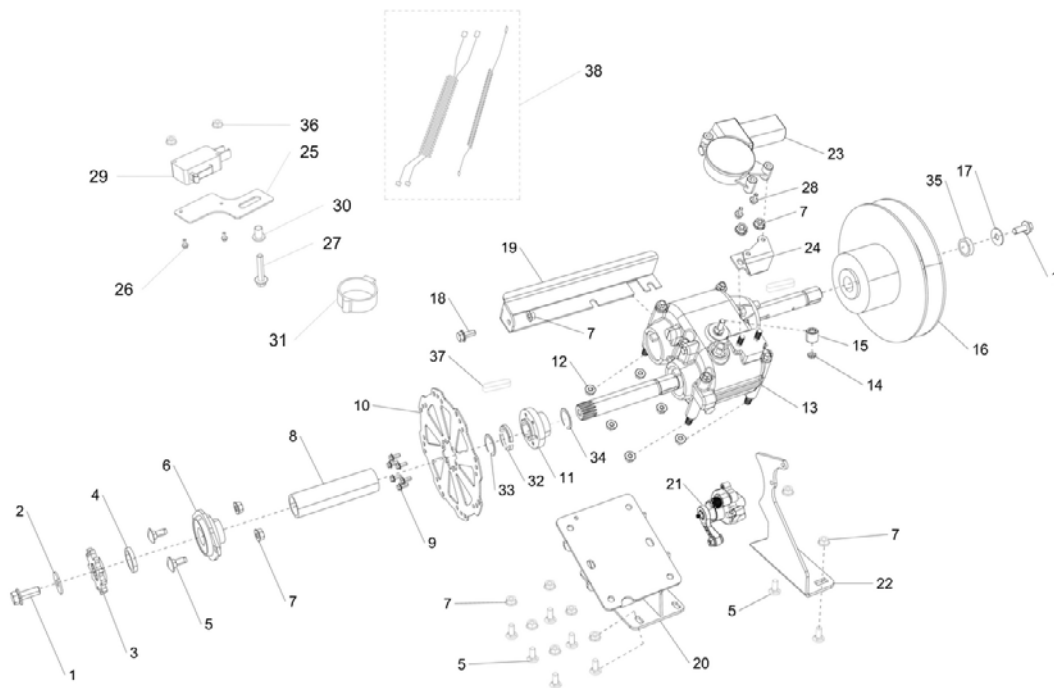
Diagram



#	Part number	Part name	Amount
1	0000-0001-4393	Engine	1
2	0000-0001-4722	CVT driver pulley	1
3	1015-1200-0000	Engine bracket	1
4	0000-0001-6515	Rubber mounting pad	4
5	0000-0001-6516	Clamp	4
6	0000-0006-0358	Screw M8×16	16
7	0000-0000-7998	Carriage bolt M8×40	4
8	0000-0005-5528	Nut M8	5
9	0000-0005-5532	Washer 8×40	2
10	0000-0001-6304	Screw M8×90	1
11	4467-0127-0000	CVT belt 30×14×1120	1
12	0000-0005-5533	Washer 8×24	20
13	0000-0001-6551	Side plug	4
14	0000-0006-0294	Screw M6×12	1
15	0000-0001-8834	Reverse alarm	1
16	1015-1300-0000	Gearbox bracket	1
17	0000-0001-3842	Screw M8×50	1
18	0000-0001-6502	Tensioner	1
19	1012-0000-0800	Bushing	1
20	1017-1000-0200	Bushing	1
21	0000-0001-0488	Nut M8	1
22	0000-0001-6304	Screw M8×90	1
23	0000-0001-8896	Engine cover	1
24	0000-0005-5892	Rivet nut M6	6

# Transmission

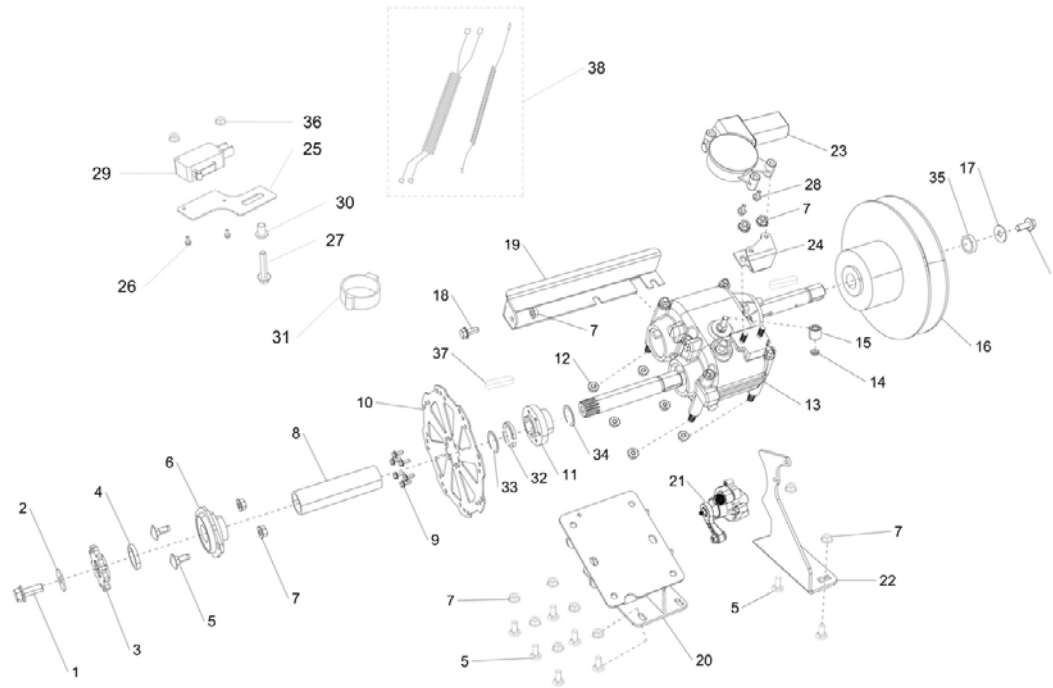
Diagram



#	Part number	Part name	Amount
1	0000-0004-7803	Screw M10×25	2
2	0000-0006-1763	Washer 10×30	1
3	0000-0005-6679	Sprocket (11 teeth)	1
4	0000-0000-8010	Bushing	1
5	0000-0005-5526	Carriage bolt M8×20	10
6	4468-2118-0000	Ball Bearing (with body parts)	1
7	0000-0005-5528	Nut M8	13
8	0000-0001-7609	Bushing	1
9	0000-0001-8276	Screw M5×10	6
10	0000-0001-7588	Brake disc	1
11	0000-0001-9109	Flange parking brake	1
12	0000-0005-5527	Nut M10	6
13	0000-0001-7548	GEARBOX	1
14	1015-0000-0700	Washer	1
15	1015-5000-0000	Gearbox coupling	1
16	4470-0001-0000	Driven pulley	1
17	0000-0006-1860	Washer 10×34	1
18	0000-0000-7999	Screw M8×20	1
19	4006-1600-0000	Gearbox bracket	1
20	1015-1400-0000	Gearbox base plate	1
21	4667-2021-0000	Parking caliper assy	1
22	1015-1000-0200	Parking brake caliper bracket	1
23	0000-0001-8158	Gear shift actuator	1
24	1015-1000-0103	Gear shift actuator bracket	1
25	5050-0000-0040	Reverse signal switch bracket	1
26	0000-0002-2841	Screw M3×16 DIN933 A2	2
27	0000-0006-0423	Screw M6×30	1
28	0000-0006-0434	Screw M6×16	2
29	0000-0001-8835	Reverse signal switch	1
30	0000-0006-0584	Bushing	1

# Transmission

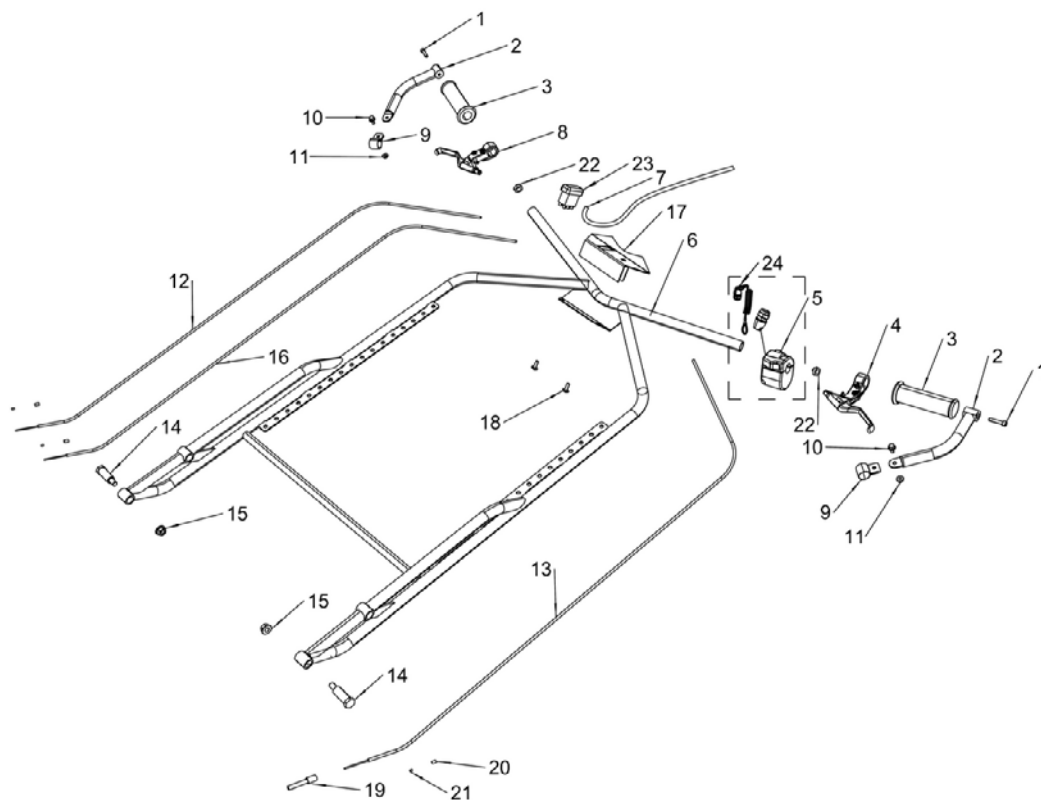
Diagram



#	Part number	Part name	Amount
31	0000-0006-0795	Clamp	1
32	0000-0001-9478	Half-ring, transmission	1
33	0000-0001-9477	Circlip B30	1
34	0000-0000-8108	Circlip B25	1
35	0000-0001-7605	Bushing	1
36	0000-0001-8511	Nut M3	2
37	0000-0001-4339	Key	2
38	0000-0002-3170	Limit switch	1

# Handlebar

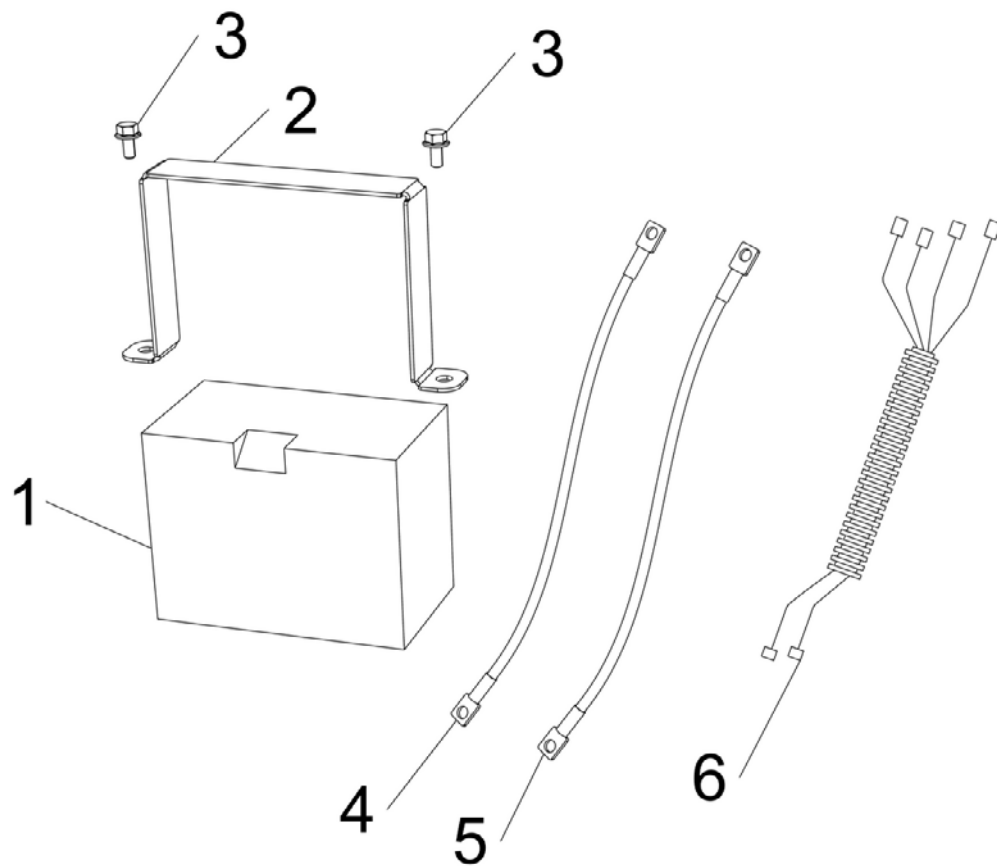
Diagram



#	Part number	Part name	Amount
1	0000-0000-9519	Screw M6×30	2
2	1015-3200-0000	Handguard	2
3	0000-0001-7220	Heated grips	1
4	4677-0000-0006	Parcking lever	1
5	0000-0001-6979	Handle switch	1
6	1018-3100-0000	Handlebar	1
7	0000-0001-9534	Reverse switch with cable	1
8	4157-0016-0000	Throttle Lever	1
9	1015-3000-0100	Handguard clamp	2
10	0000-0006-0434	Screw M6×16	2
11	0000-0006-1751	Nut M6	2
12	4997-9901-0000	Choke Control Cable	1
13	0000-0001-7399	Throttle/Brake Cable (2.7m)	1
14	4160-0105-0190	Fit bolt M10	2
15	0000-0005-5527	Nut M10	2
16	4267-0003-0000	Throttle/Brake Cable (2.5m)	1
17	1015-3300-0000	Reverse switch bracket	1
18	0000-0005-6411	Screw M6×16	2
19	0000-0001-2648	Adjusting screw	1
20	0000-0001-4967	Cable ferrule	3
21	0000-0000-7862	Cable tip	3
22	0000-0001-6382	Star nut M6	2
23	0000-0002-3433	Gearbox switch	1
24	8980-0100-0199	Kill Switch	1

# Battery

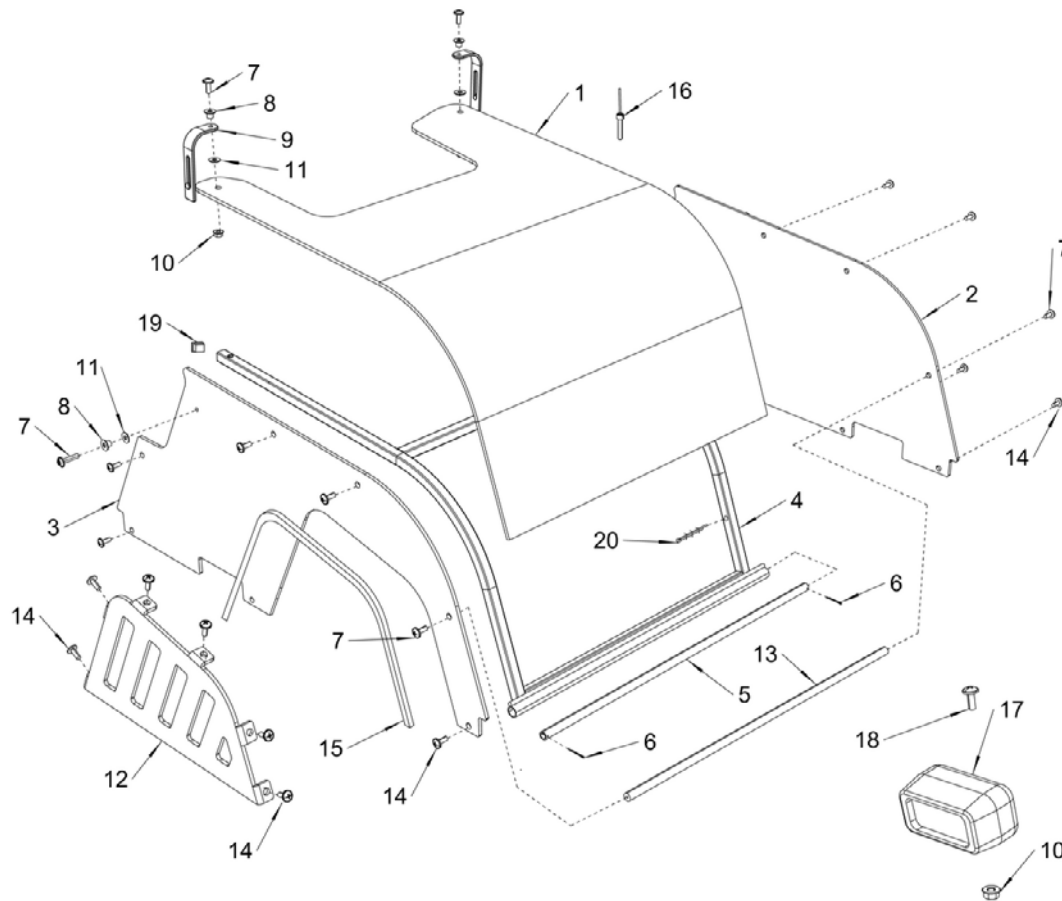
Diagram



#	Part number	Part name	Amount
1	4386-9900-0000	Battery 12V 11,0 Ah	1
2	4177-0100-1490	Battery bracket	1
3	0000-0006-0434	Screw M6×16	2
4	4280-1321-0002	Negative cable	1
5	4280-1321-0001	Positive cable	1
6	0000-0002-0268	Rear lamp cable	1

# Covers

Diagram



#	Part number	Part name	Amount
1	1018-4000-0100	Central cover	1
2	1015-0000-0400	Left cover	1
3	1015-0000-0500	Right cover	1
4	1012-4100-0000	Hood bracket	1
5	1012-0000-0300	Hood axle	1
6	9460-0000-0003	Cotter pin	2
7	0000-0006-0420	Screw M6x25	6
8	90692-115-0004	Bushing	4
9	0000-0001-4915	Hood latch	2
10	0000-0006-1751	Nut M6	7
11	0000-0006-0238	Washer 6x18	4
12	1012-0000-0600	Chain protection	1
13	1012-1800-0000	Front crossbar	1
14	0000-0005-6411	Screw M6x16	16
15	0000-0001-6829	Edging	1
16	0000-0001-5061	Rivet 4,0x10 mm	12
17	0000-0001-4554	Light (LED 12V/20W)	2
18	0000-0006-0761	Screw M6x16	2
19	0000-0001-5205	Cap	2
20	0000-0005-9400	Clamp	4